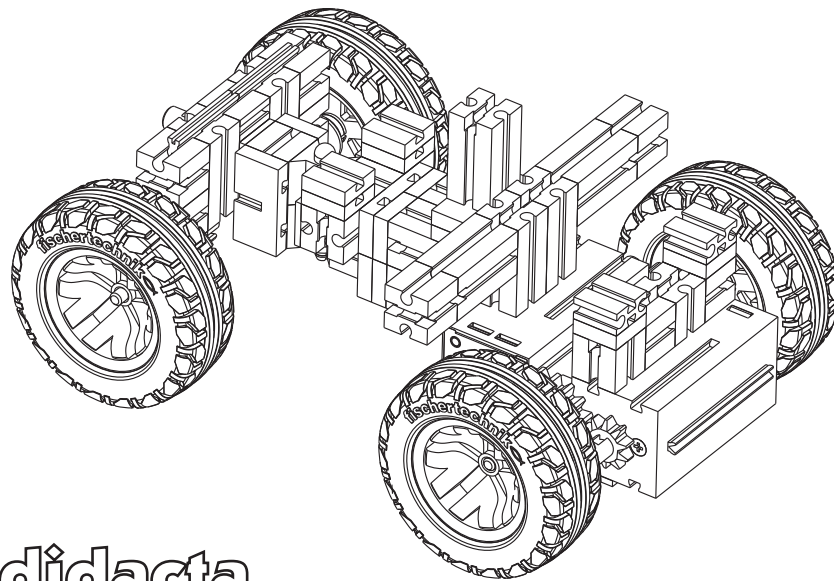


model XM65DW - 3 - 10:20

model XM65DW - 3 - 10:20




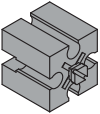
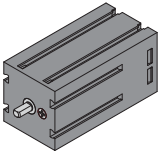


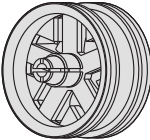
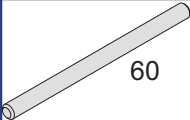
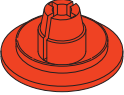

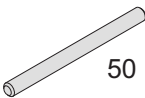

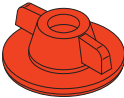
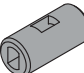
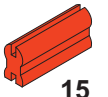

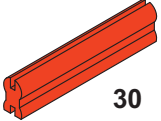

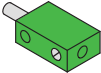
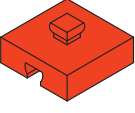
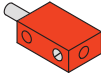
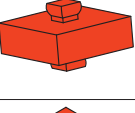

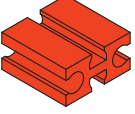

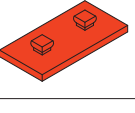
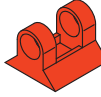
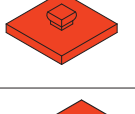

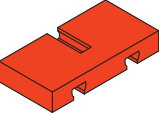

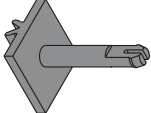
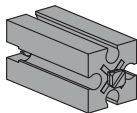
 didacta
advance

Travnička 18, 40000 Čakovec , Croatia (EU)

www.didacta.hr

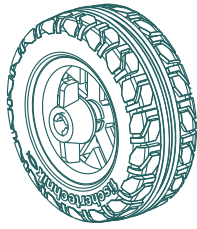
fischertechnik 

model XM65DW - 3

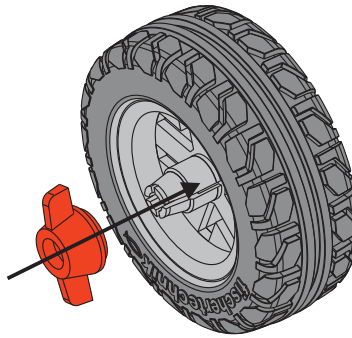
	31021 x 2		32881 x 16		135485 x 2
	31023 x 4		32882 x 9		163205 x 4
	31032 x 2		35031 x 2		163206 x 4
	31033 x 2		35033 x 4		
	31058 x 2		35073 x 1		
	31060 x 4		35945 x 2		
	31061 x 5		35969 x 6		
	31336 x 6		37237 x 4		
	31337 x 6		37238 x 10		
	31360 x 1		37468 x 3		
	31426 x 2		38241 x 2		
	31436 x 2		38246 x 2		
	32064 x 3		38428 x 5		
	32870 x 1		130593 x 1		
	32879 x 7				


model XM65DW - 3

1

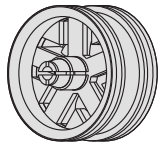


4 x **1**






35033 x 4

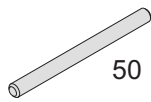


163205 x 4




163206 x 4


1



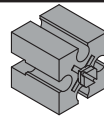
50
31033 x 2



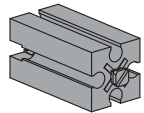
31023 x 2



32064 x 2

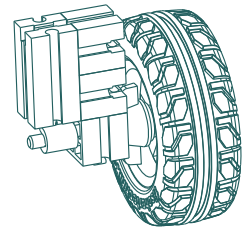
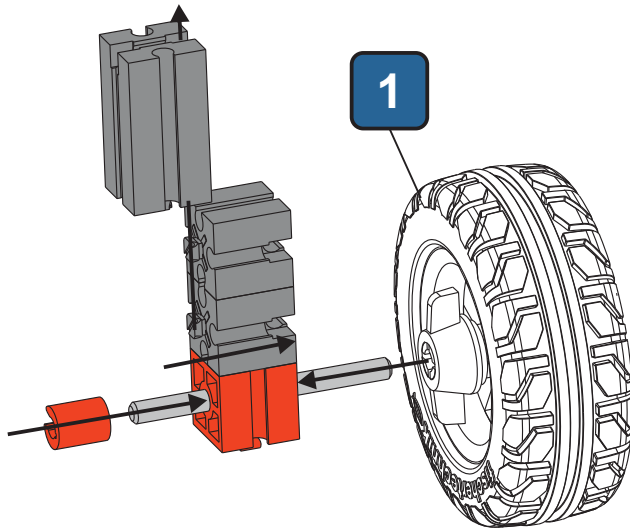


32881 x 4

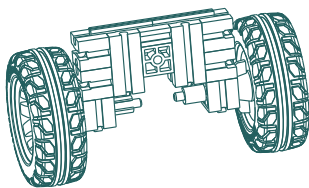


32879 x 2

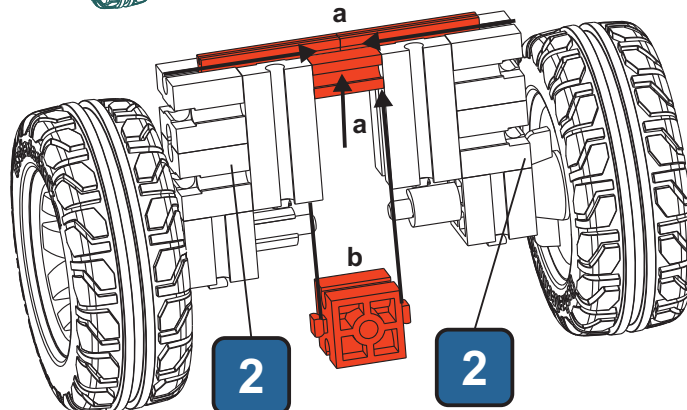
2




2 x **2**

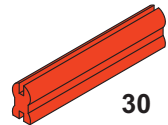


3

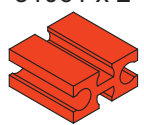




32064 x 1



30
31061 x 2

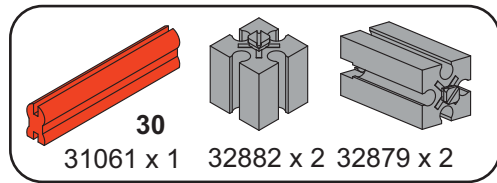
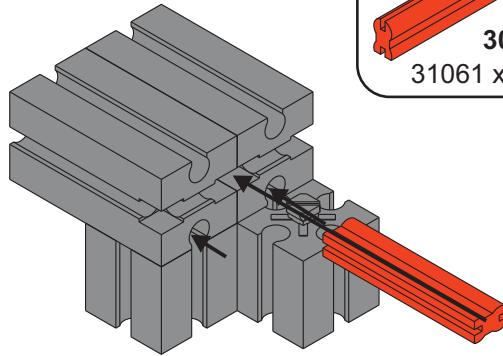
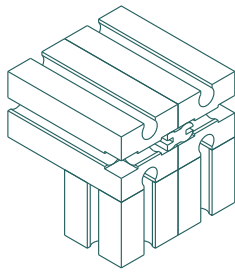


37468 x 1

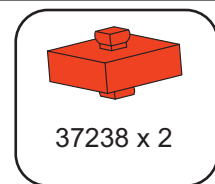
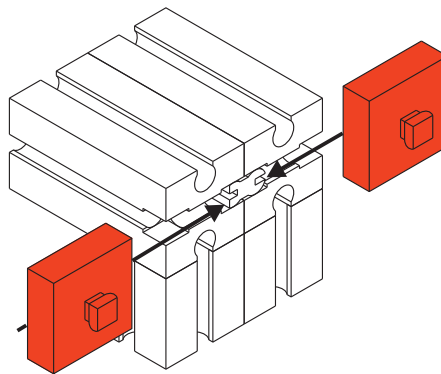
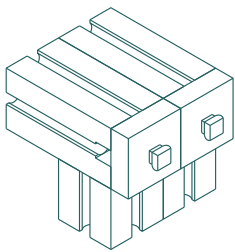
3

model XM65DW - 3

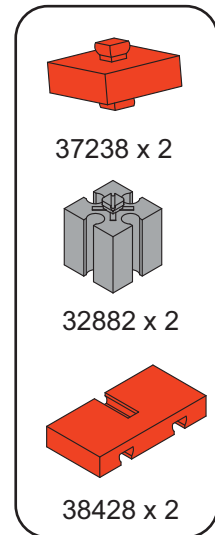
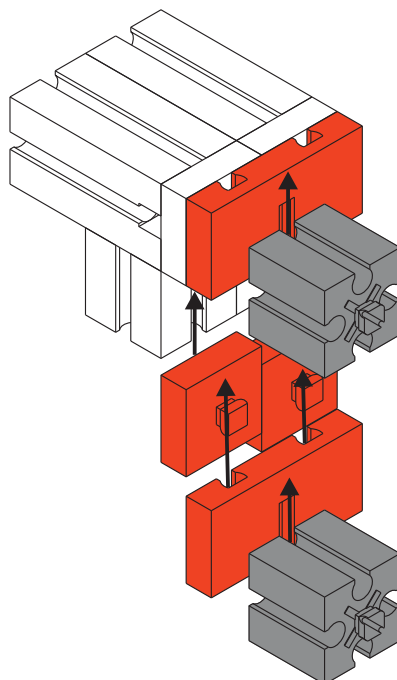
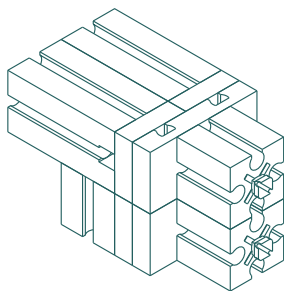
2



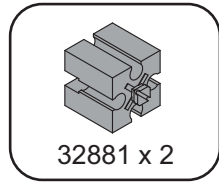
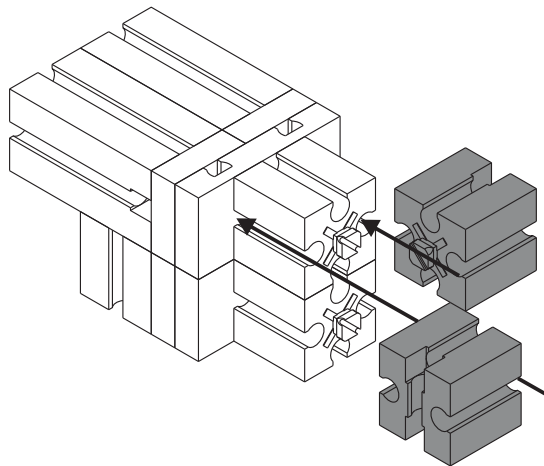
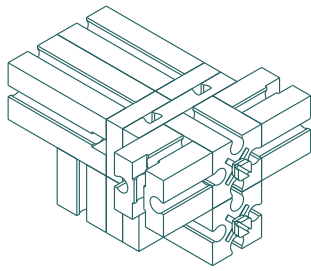
1



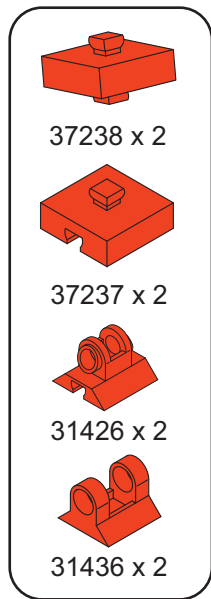
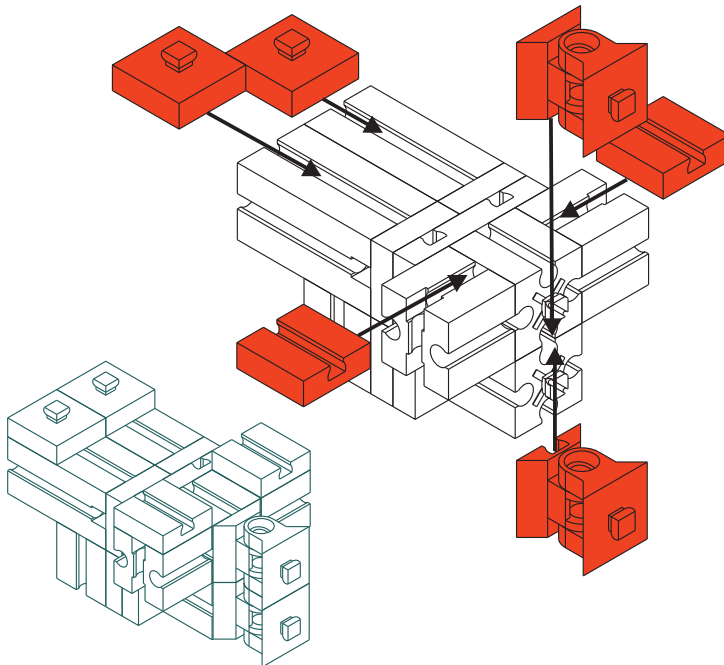
2



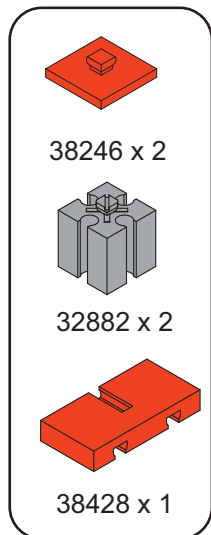
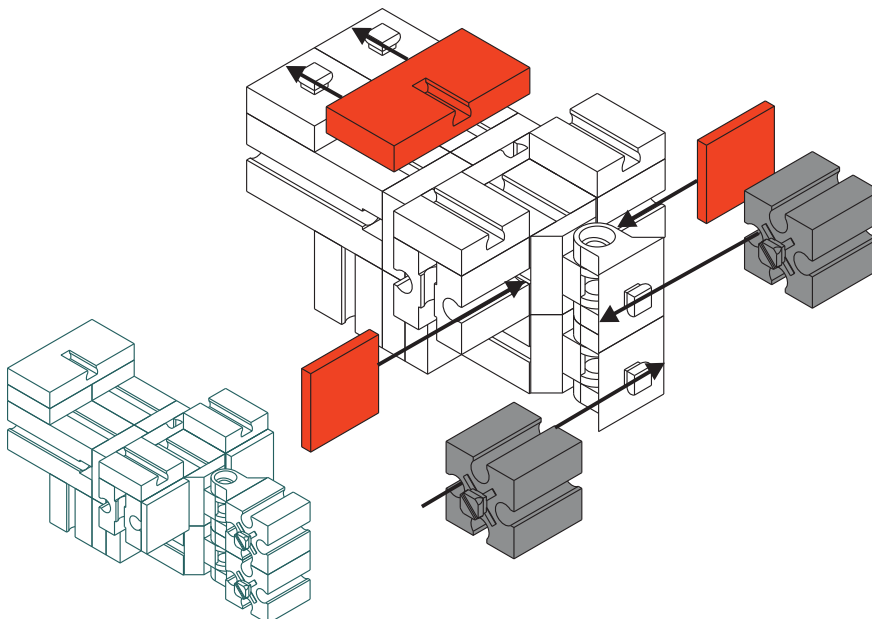
3



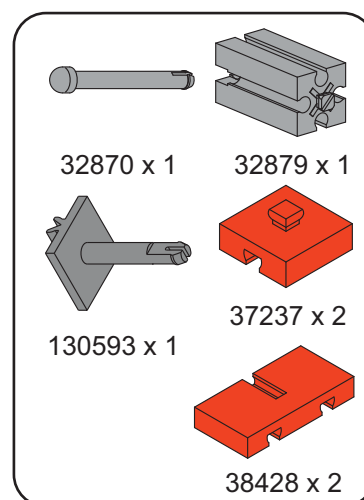
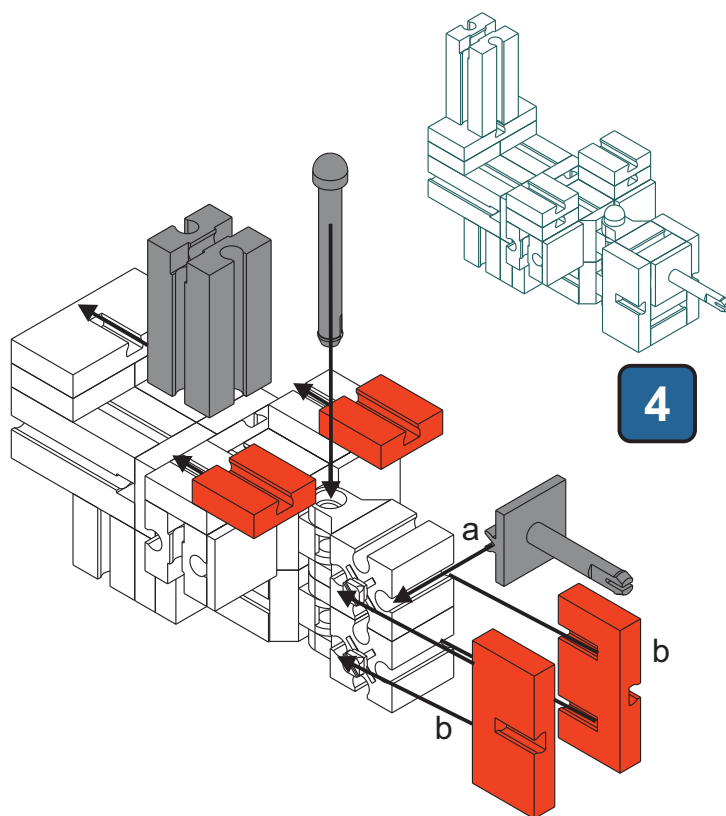
4



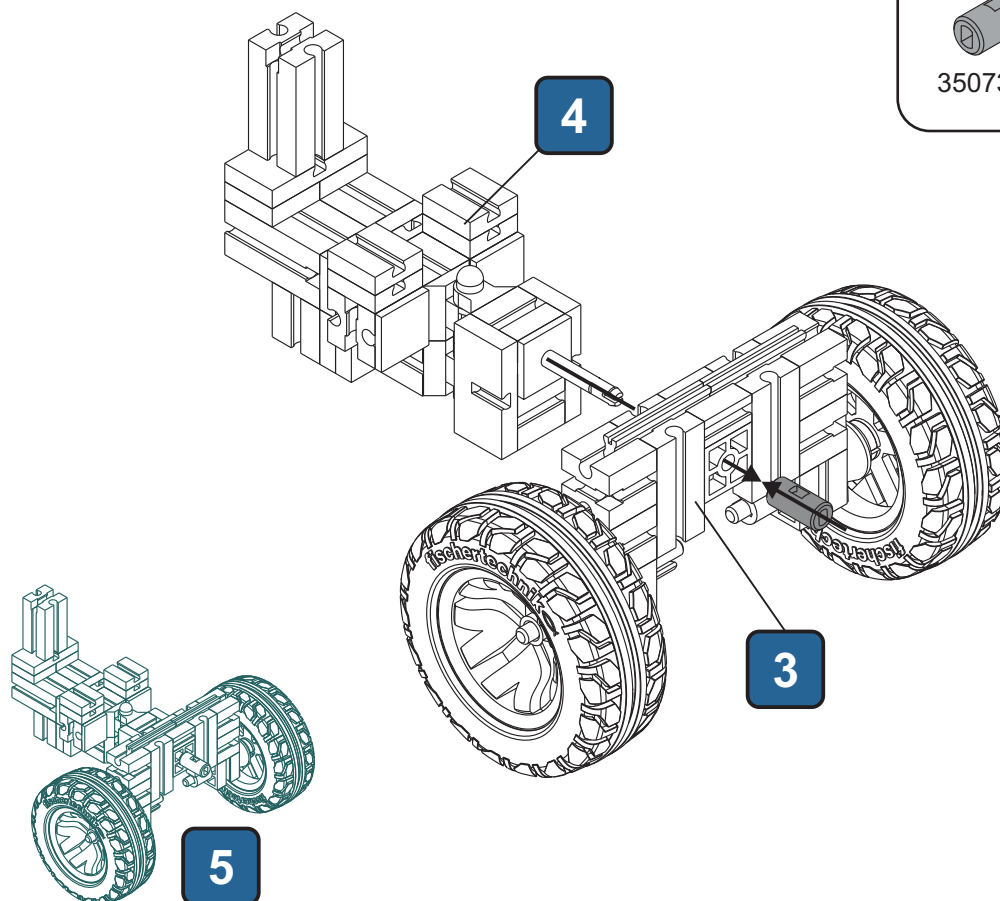
5



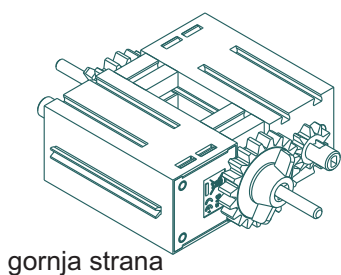
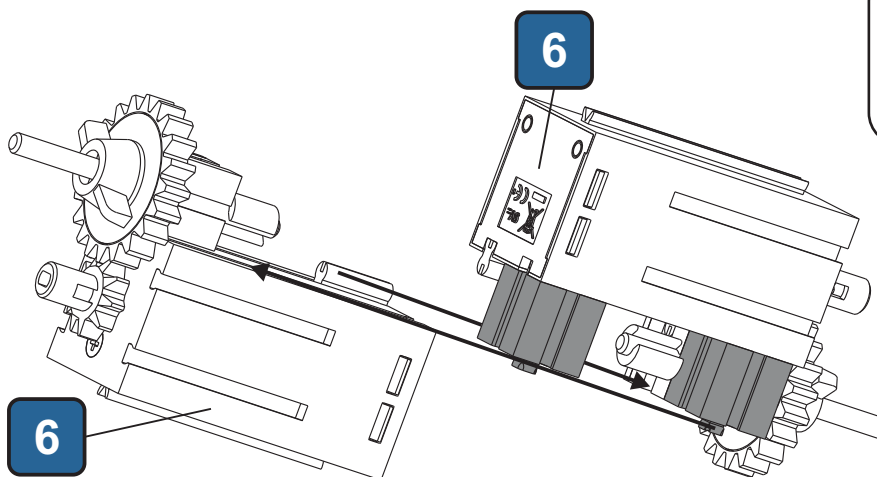
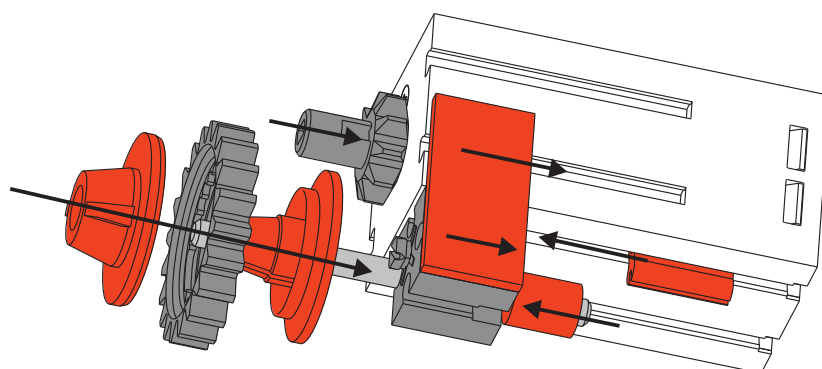
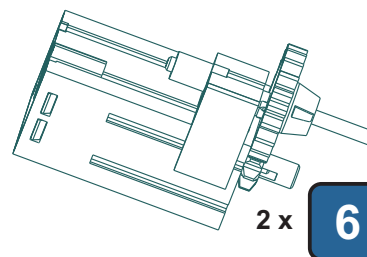
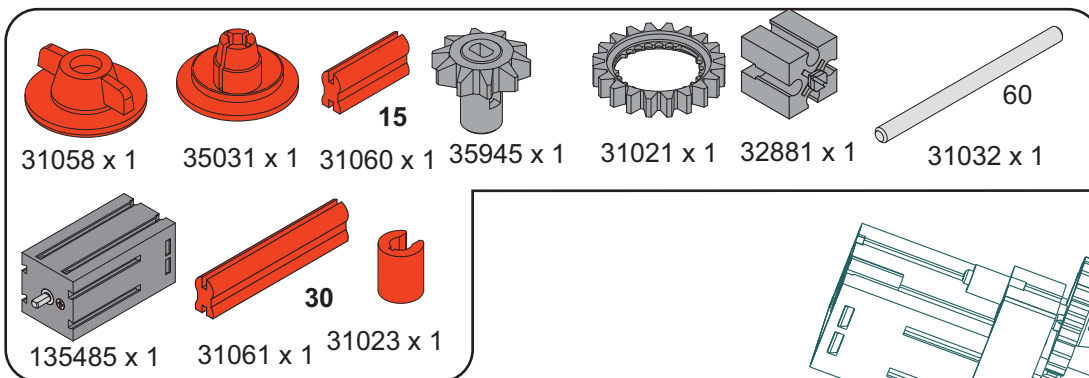
6



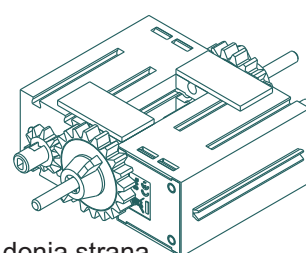
7



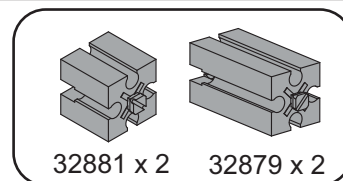
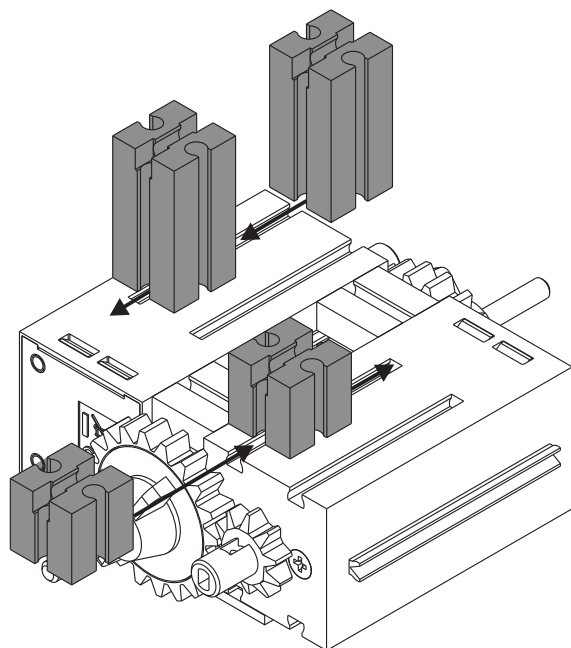
8



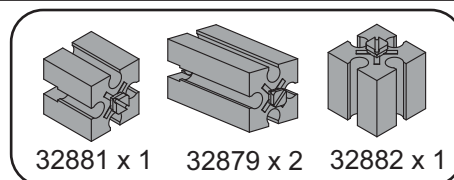
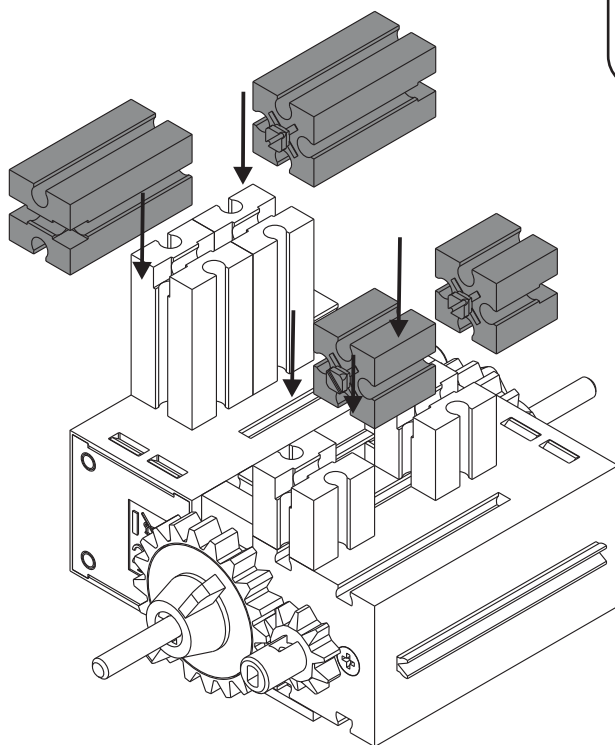
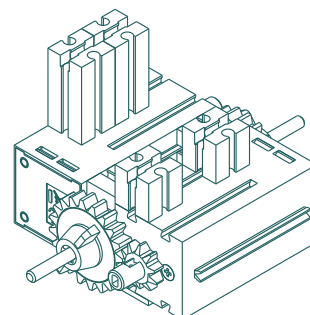
gornja strana



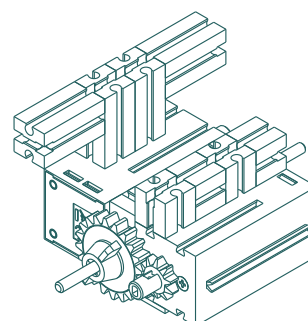
donja strana

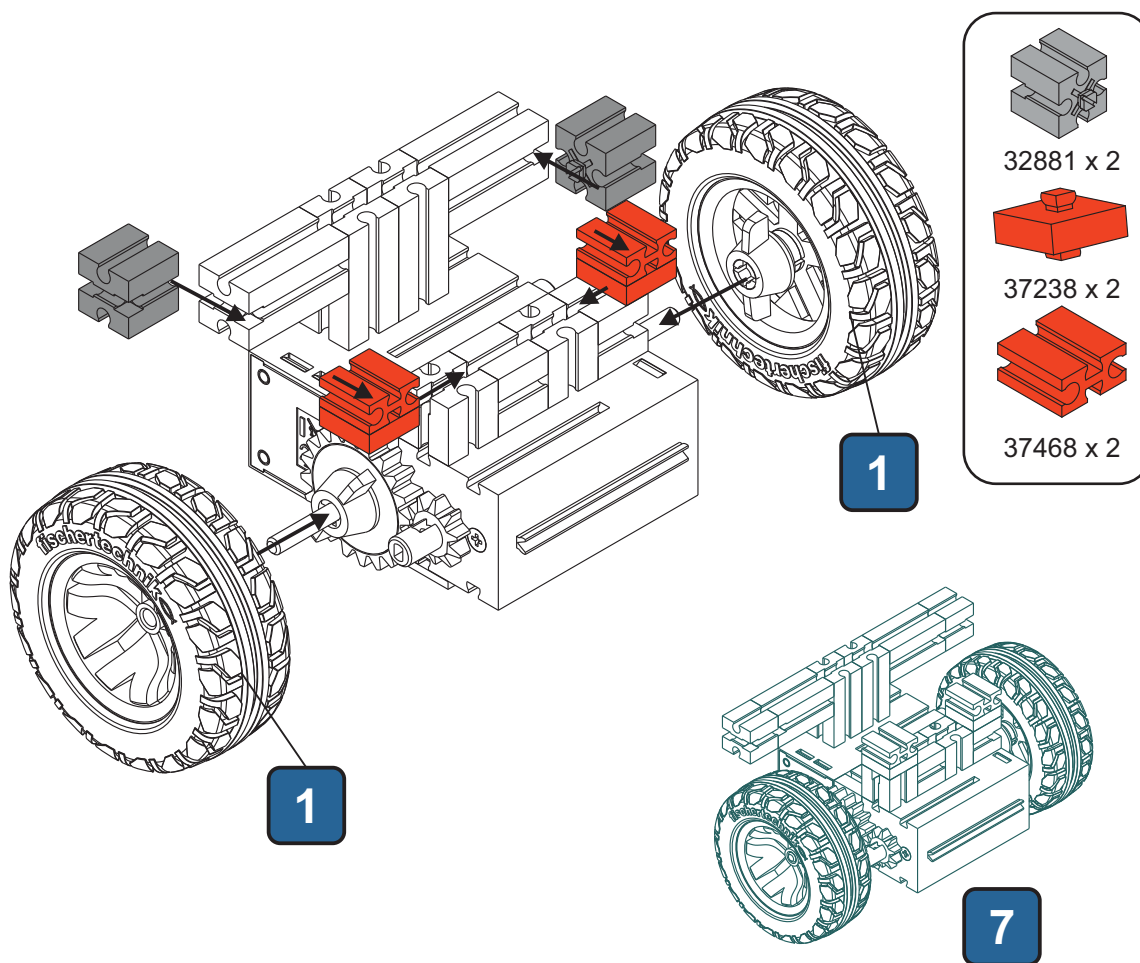


3

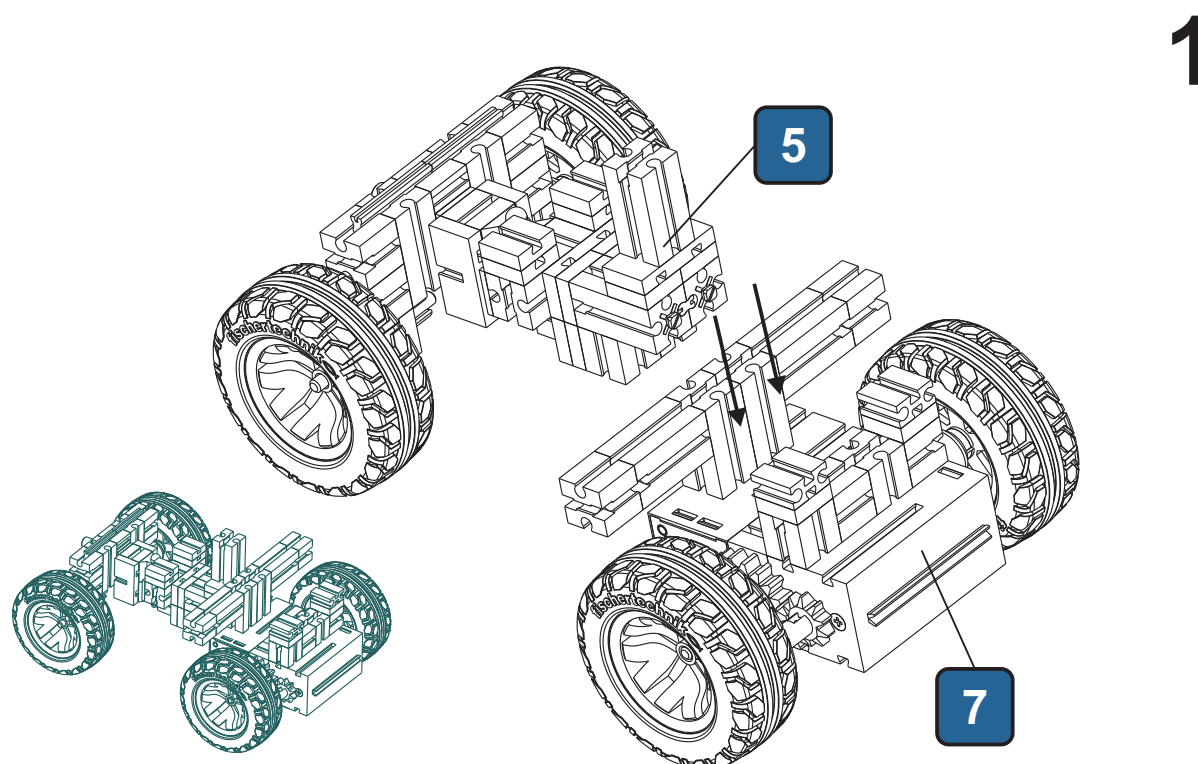


4

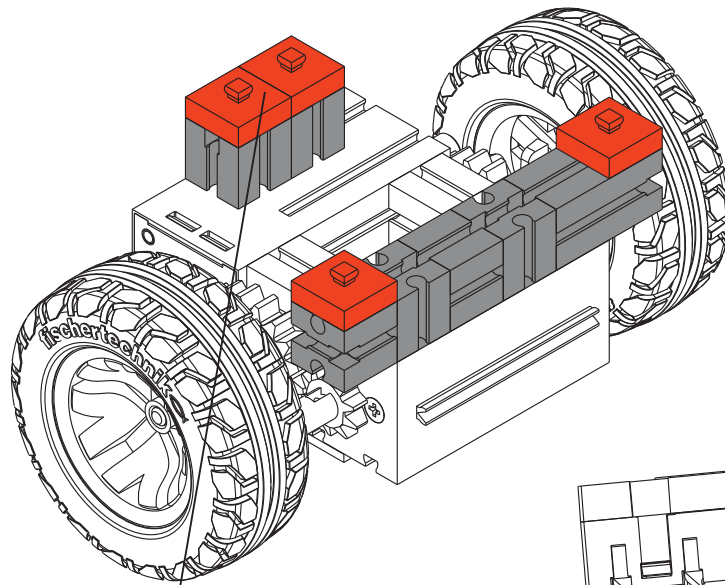




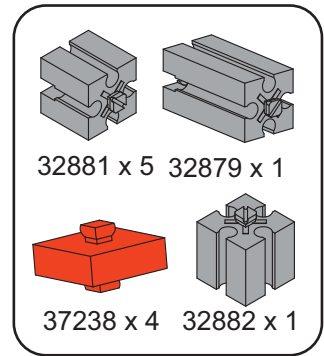
CONNECTING THE REAR WHEEL ASSEMBLY TO THE DRIVE ASSEMBLY



TXT INTERFACE BRACKET

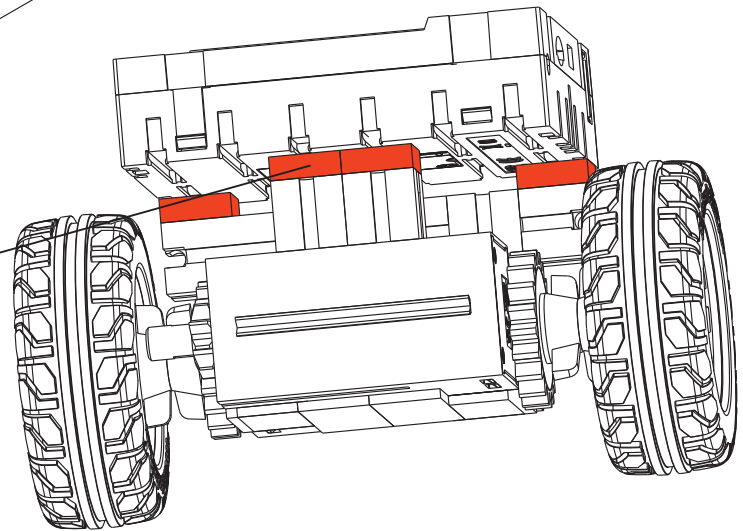


insert after connection to the assembly rear wheels

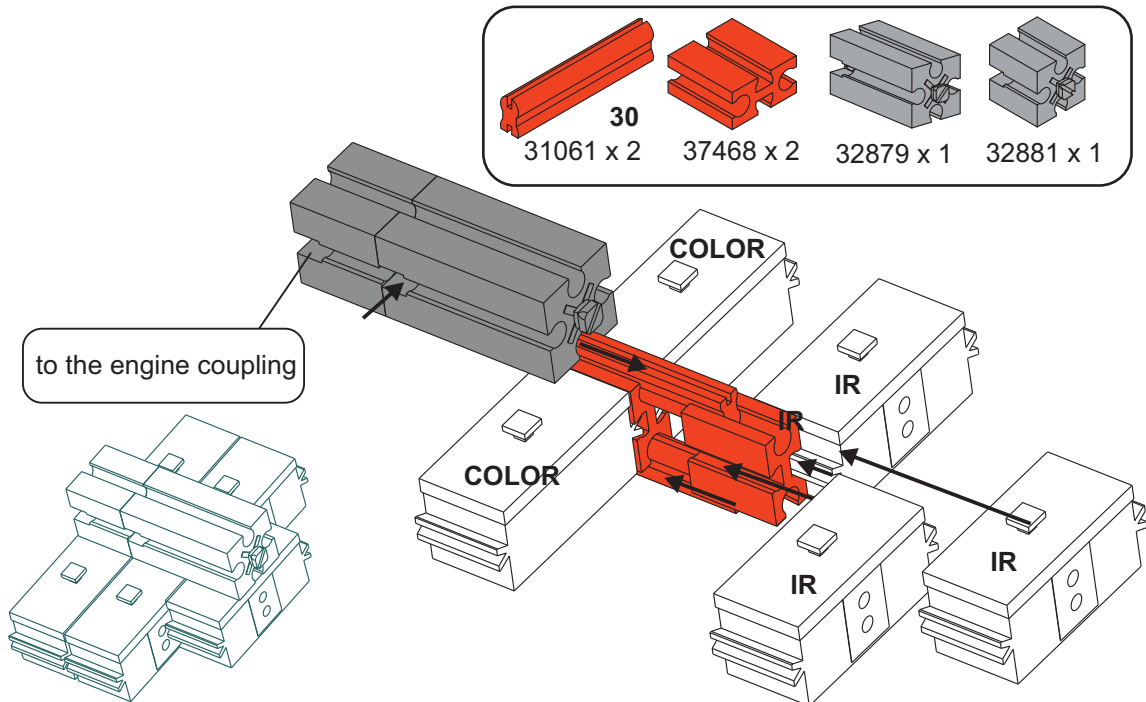


1

TXT INTERFACE INSTALLATION ON BRACKETS



IR AND COLOR SENSOR ASSEMBLY



1